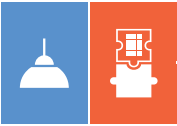


C-Flex | TROFFER TRANSFORMER



VOLUMETRIC (TTV)

FLAT PANEL (TTF)

- ▶ Install as a retrofit kit or as a new fixture.
- ▶ 3 sizes to choose from 2x2, 2x4, 1x4.
- ▶ Door style retrofit kit with just one piece, creating a seamless, no air gap look.
- ▶ Choose from a volumetric or a flat panel design.

flexCOLOR

CCT1 = 3500K, 4000K, 5000K
CCT2 = 2700K, 3000K, 3500K

flexCONTROL

wired E1, 3W,10V, LVD
wireless BLE, Vive Integral Fixture Control, Athena Wireless Node order without controls, with basic sensor, or advanced Lutron or Bluetooth mesh controls



DIMMING
Lutron Ecosystem,
3-Wire
0-10V, LVD



Scan here to see how easy it is to install the Troffer Transformer!



ALSO WORKS ON 208V & 240V



0-10V DIM



CRI



OPTIONAL EMG BATTERY BACKUP



BEAM ANGLE



OPERATING TEMP



SURGE PROTECTION

FOR MORE INFORMATION VISIT C-FLEXRETROFITS.COM



UL 1598 LISTED FIXTURE



UL 1598C LISTED RETROFIT KIT



US PATENT NO. 10,976,015

LIGHT EFFICIENT DESIGN HEADQUARTERS 188 S. Northwest Highway • Cary, IL 60013
INNOVATION & MANUFACTURING CENTER 30 Log Bridge Road, Building 200 • Middleton, MA 01949
847.380.3540 • led-llc.com

10.24.23 Information is subject to change without notice.





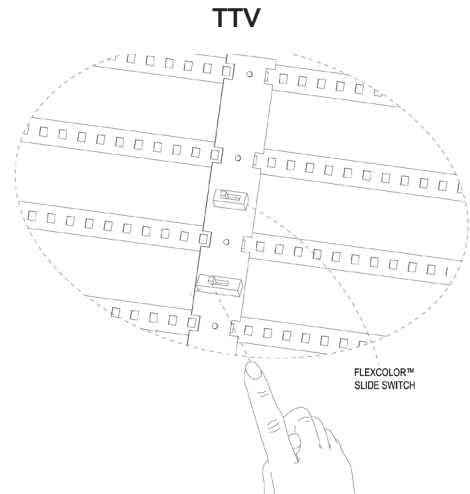
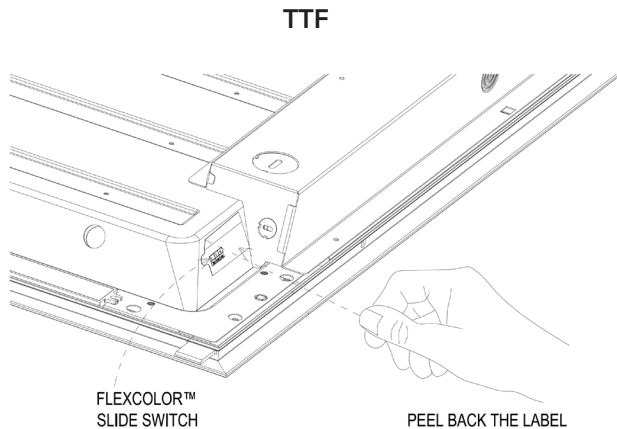
TROFFER FEATURES	OUR DESIGN	EVERYONE ELSE
BRACKET DESIGN	Single piece	Multiple bracket pieces
UNIVERSAL TROFFER FIT	Fits every single troffer	Fits some, doesn't fit others
TRIM THAT COVERS UP AIR GAP AROUND FRAME	YES	NO. Ugly air gap depending on the fixture it goes into
FAST 3-MIN INSTALL	YES	NO. 15 min or more
DESIGN	Available in both flat panel & volumetric looks	1 or the other
ADJUSTABLE COLOR	YES. FlexColor	Maybe
CAN BE INSTALLED EITHER AS A RETROFIT OR A NEW FIXTURE	YES. Single product can be used as either	NO. Either purchase door retrofit kit or new fixture

HOW EASY IS IT TO SET?

Simply open the fixture, and adjust the slide switches with your finger. Takes 30 seconds max



FLEXCOLOR SLIDE SWITCH POSITION			
SIZE	TOP	MIDDLE	BOTTOM
2X2	3500K	4000K	5000K
1X4	3500K	4000K	5000K
2X4	3500K	4000K	5000K



Fixture can be configured with a variety of lutron drivers or 0-10V Dim-to-off driver w/ 12V DC Aux power

Fixture can be used with Basic PIR fixture level control or advanced Bluetooth Mesh Sensor (w/ 0-10V driver) or Lutron Vive or Athena control system





PART NUMBER BUILDER

MFR	PRODUCT	SIZE	LUMENS	COLOR	DIMMING/CONTROL	OPTIONS	GEN	AA
RP						1 - 2 - 3	G1	
	TTV - volumetric TTF - flat panel	2X2 → 1X4 → 2X4 →	28L, 32L, 36L 28L, 32L, 36L 42L, 47L, 53L	CCT1 = 3500K, 4000K, 5000K CCT2 = 2700K, 3000K, 3500K	E1 = 1% Ecosystem 3W = 3-Wire 10V = 1-10V dim-to-off BLE = Bluetooth Mesh VIVE = Lutron Vive Integral Sensor AWN = Lutron Athena Wireless Node	1. OCC1 = RF Only OCC2 = RF with Occupancy/Vacancy/Daylight sensor (Required w/Vive and AWN control option) 2. EMG=90min emergency battery backup 3. AIR = Air Return Trim		AA = ARRA SECTION 1605

ORDERING EXAMPLES

RP-TTV-2X2-36L-CCT1-E1-G1

RP-TTV-2X2-36L-CCT2-AWN-OCC1-G1

Must order case quantity of 4 pcs per case



If you require BAA (ARRA Section 1605) add -AA at end of part number.

SURFACE MOUNT ACCESSORIES

RPT-LEDPANEL-SMK-2X2
RPT-LEDPANEL-SMK-1X4
RPT-LEDPANEL-SMK-2X4

For BAA projects, please contact our projects quotations team.

DEFAULT CCT IS 4000K. Use FlexColor internal switches to adjust or have us adjust at the factory for an additional charge.

TTV ORDERING GUIDE

	PART #	WATTAGE	LUMENS
2X2	RP-TTV-2X2-28L-CCTX-DD-G1	20	2800
	RP-TTV-2X2-32L-CCTX-DD-G1	24	3200
	RP-TTV-2X2-36L-CCTX-DD-G1	28	3600
1X4	RP-TTV-1X4-28L-CCTX-DD-G1	20	2800
	RP-TTV-1X4-32L-CCTX-DD-G1	24	3200
	RP-TTV-1X4-36L-CCTX-DD-G1	28	3600
2X4	RP-TTV-2X4-42L-CCTX-DD-G1	30	4200
	RP-TTV-2X4-47L-CCTX-DD-G1	35	4700
	RP-TTV-2X4-53L-CCTX-DD-G1	40	5300

TTF ORDERING GUIDE

	PART #	WATTAGE	LUMENS
2X2	RP-TTF-2X2-28L-CCTX-DD-G1	20	2800
	RP-TTF-2X2-32L-CCTX-DD-G1	24	3200
	RP-TTF-2X2-36L-CCTX-DD-G1	28	3600
1X4	RP-TTF-1X4-28L-CCTX-DD-G1	20	2800
	RP-TTF-1X4-32L-CCTX-DD-G1	24	3200
	RP-TTF-1X4-36L-CCTX-DD-G1	28	3600
2X4	RP-TTF-2X4-42L-CCTX-DD-G1	30	4200
	RP-TTF-2X4-47L-CCTX-DD-G1	35	4700
	RP-TTF-2X4-53L-CCTX-DD-G1	40	5300



TROFFER TRANSFORMER INSTALLATION GUIDE (RETROFIT)

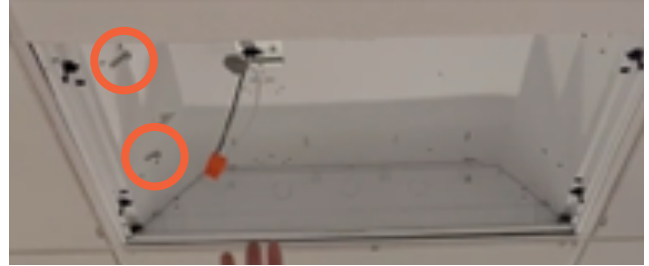
1. SHUT OFF POWER TO THE FIXTURE

Open the fixture lens and remove the existing fluorescent lamps, ballast cover and lens. Disconnect the ballast from the building's line voltage.



2. INSTALL SAFETY ANCHOR TO THE EXISTING FIXTURE

Using the supplied (2) anchor brackets and (2) self-drilling screws, attach anchor to the fixture housing.



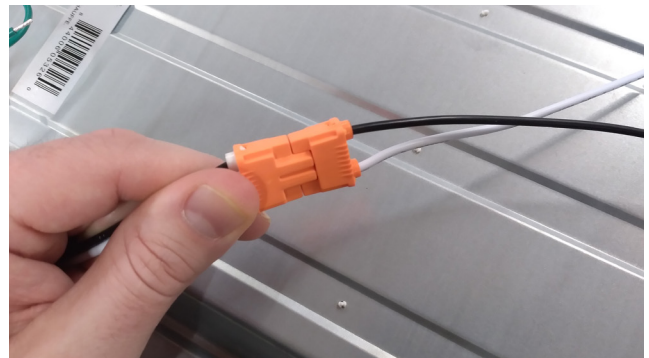
3. ATTACH CARABINERS/SAFETY CABLES

Use the (2) carabiners to connect to the Troffer Transformer safety cables to the anchor points. Now the fixture will be hanging in place to make the install easier. For install onto narrow T-Grid – install centering tabs to holes on trim for guarantee straight fit.



4. MAKE ELECTRICAL CONNECTIONS

Connect input power via the included quick disconnect.



5. INSTALL KNIFE-EDGE

Align the knife-edge of the Troffer Transformer with the T-bar grid and push. The knife will be sandwiched between the T-bar and the old fixture.



6. COMPLETE THE INSTALL

Push the other side of the Troffer Transformer up into the existing fixture. With a TORX T30 screwdriver rotate corner screws 1/2 turn (180°) to secure the Troffer-Transformer in place with expanding latch. (2x4 center latch is 1/4 turn - 90°) Install adhesive cover to T30 latch for smooth look. Turn power ON and install is complete!





-AIR

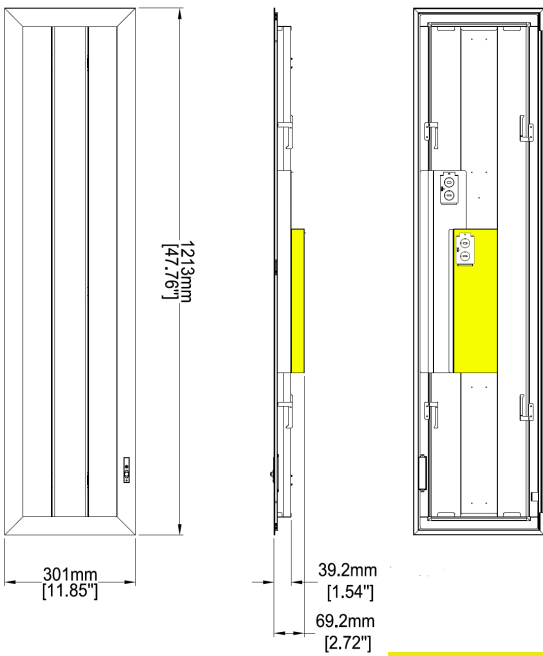
Use the Troffer Transformer Air Return Option (...-AIR) on flat panel or volumetric versions to include air return slots in the fixture trim.



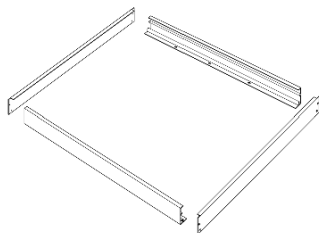
AIR RETURN SLOTS

TTV DIMENSIONS*

1X4

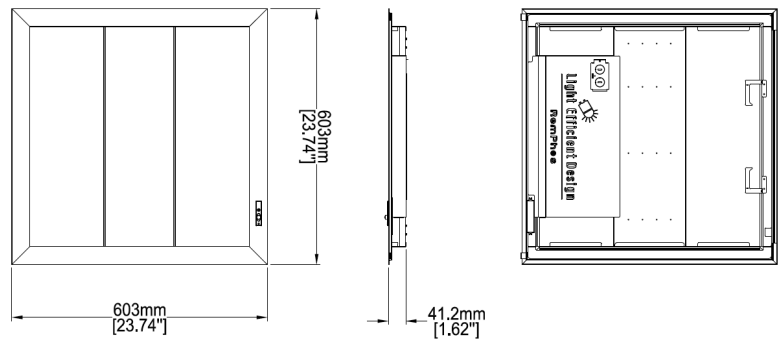


Optional EMG/Junction Box

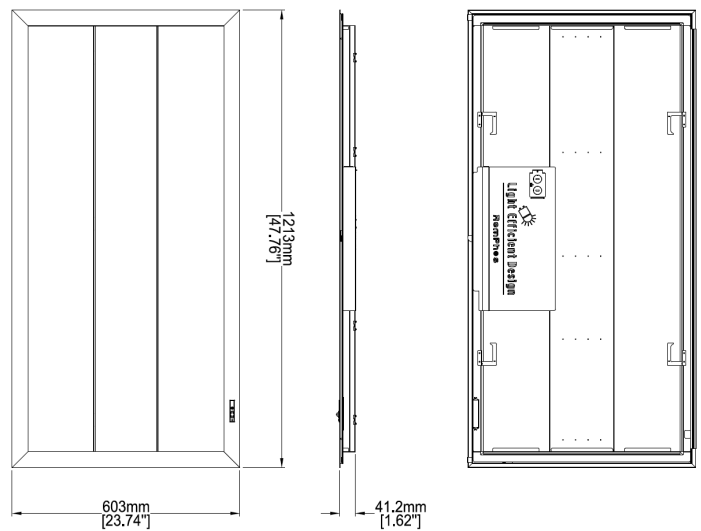


SURFACE MOUNT KIT ACCESSORY (2X2 SHOWN)
HEIGHT/DEPTH OF KIT 2.25"

2X2



2X4



* TTF SHOWN



-AIR

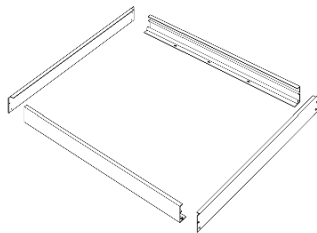
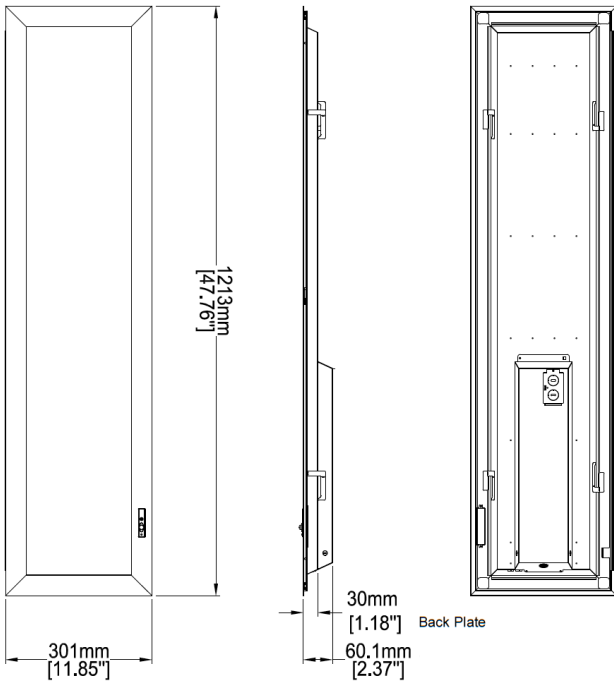
Use the Troffer Transformer Air Return Option (...-AIR) on flat panel or volumetric versions to include air return slots in the fixture trim.



AIR RETURN SLOTS

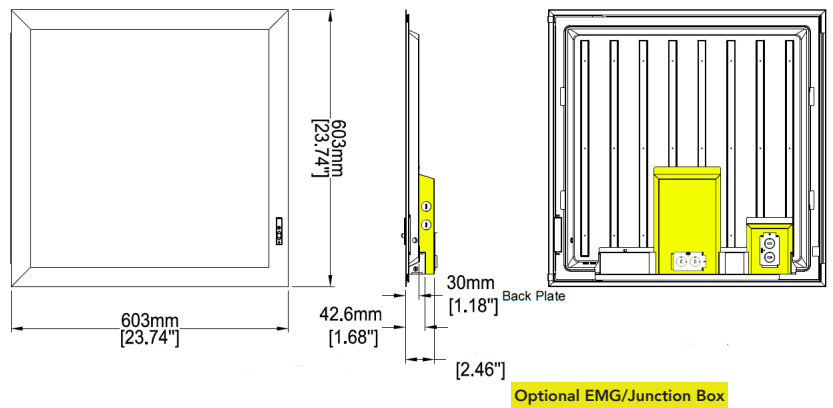
TTF DIMENSIONS

1X4



SURFACE MOUNT KIT ACCESSORY (2X2 SHOWN)
HEIGHT/DEPTH OF KIT 2.25"

2X2



2X4

